

ECOKRAFT PELLET MILL RP18

AFFORDABLE, VERSATILE AND PRODUCTIVE



AREAS OF APPLICATION

The RP18 has been specially developed for fine-grained biomasses such as sawdust, wood shavings, fermentation substrates, husks or even fruit pomace. The built-in steam discharge from the pressing chamber as well as 2 central lubrication points ensure maximum compactness and user-friendliness.

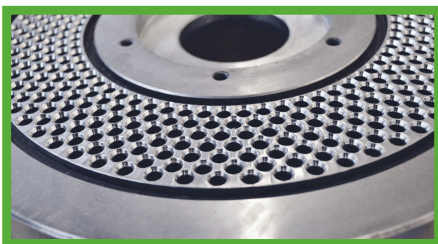
The powerful press allows maximum throughput and pellet quality. Available on industrial castors or a special metal base frame for use with lift truck or forklift. Optionally, the machine is available with all material contact parts in stainless steel.

ADVANTAGES

- ✓ Compact size
- ✓ High added value due to transformation of raw materials
- ✓ Easy operation
- ✓ Various bases available

ECOKRAFT PELLET MILL RP

Despite its own weight of approx. 650 kg, the ECOKRAFT RP line is a very mobile and variable pelletizing system, which is suitable for a wide range of biomasses. The RP line focuses on robustness and productivity. The pan grinder sets, the contact pressure and the output are perfectly adapted to the flat dies. A change of the pellet diameter or a change to another biomass can be realized within a short time.



High quality hardened flat dies for different pellet diameters and different press channel lengths available.



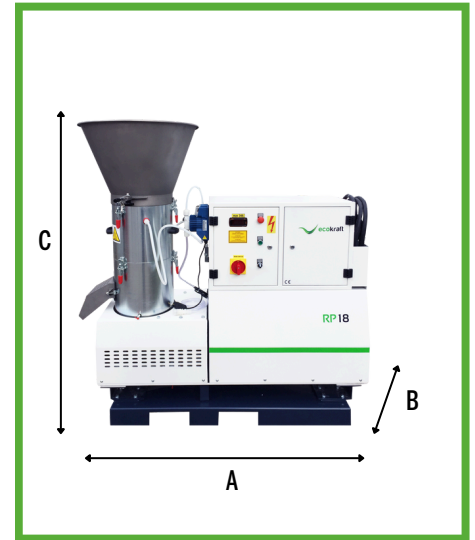
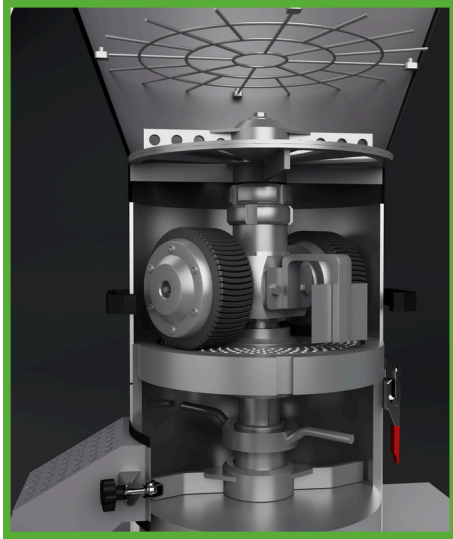
The roller set is designed as a well thought-out, quickly exchangeable and thus user-friendly complete unit.



The mixer located in the material hopper prevents possible "bridging" of very light materials. Furthermore, strong magnets are integrated on the mixer, which can sort out possible foreign bodies such as nails or metal chips.



SPECIFICATIONS



TYPE	RP18
-------------	-------------

Weight	650 kg
Total power	max. 18,5 kW
Connected load	63 CEE

Length A	1,500 mm
Width B	600 mm
Height C	1,700 mm

